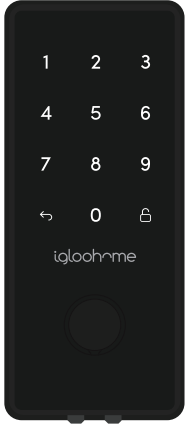
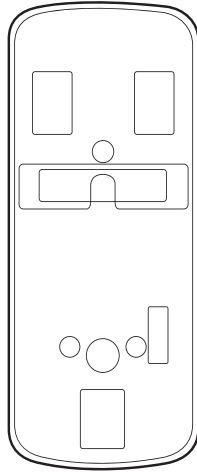


Installers &
User guide
Deadbolt 2S
Metal Grey.

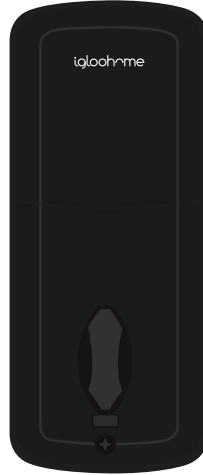
What's Included



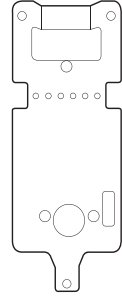
**Front Assembly
& Rubber Gasket**



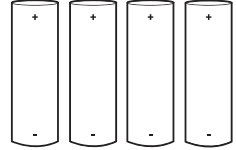
**Back Assembly
Rubber Gasket**



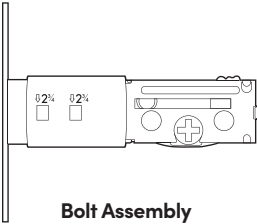
Back Assembly



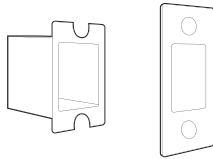
Back Plate



AA Alkaline Batteries x4



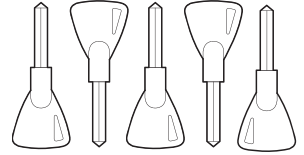
Bolt Assembly



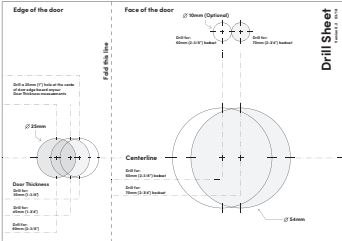
**Strike Plate Housing &
Strike Plate**



Screw Holder



Keys x5



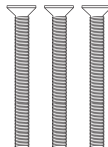
Drill Sheet



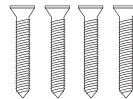
**5mm (0.019")
Bolt Screw x2**



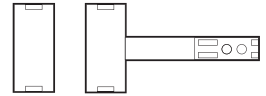
**8mm (0.03")
Bolt Screw x2**



**43mm (1.69")
Bolt Screw x3**



**22mm (0.87")
Wood Screw x4**



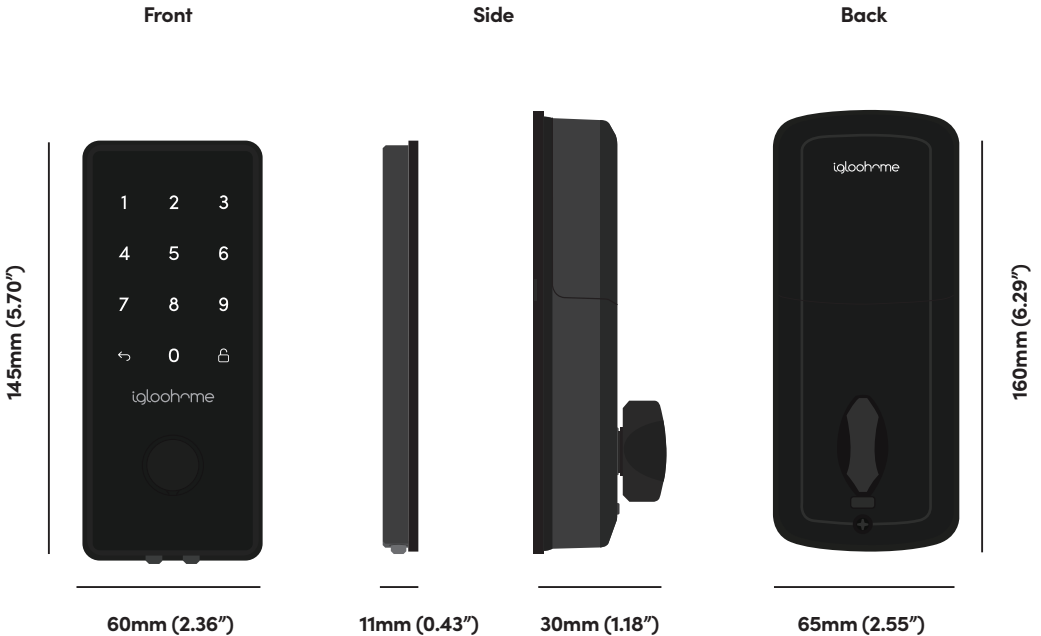
Door Sensor & Magnet



**20mm (0.78")
Bolt Screw**

Specifications

Model	igloohome Smart Deadbolt 2S Metal Grey
Battery Type	4 x AA* Alkaline
Battery Life	Up to 1 Year
Emergency Power	9V Alkaline Battery
Operation Temp	-20°C to 50°C
Storage Temp	-30°C to 60°C
IP Rating	IP65
Material	Al, Zinc Alloy, ABS
Weight	Net: 450g, Gross: 550g
Unlock Mechanism	Bluetooth, PIN code, Physical Keys, Thumbturn

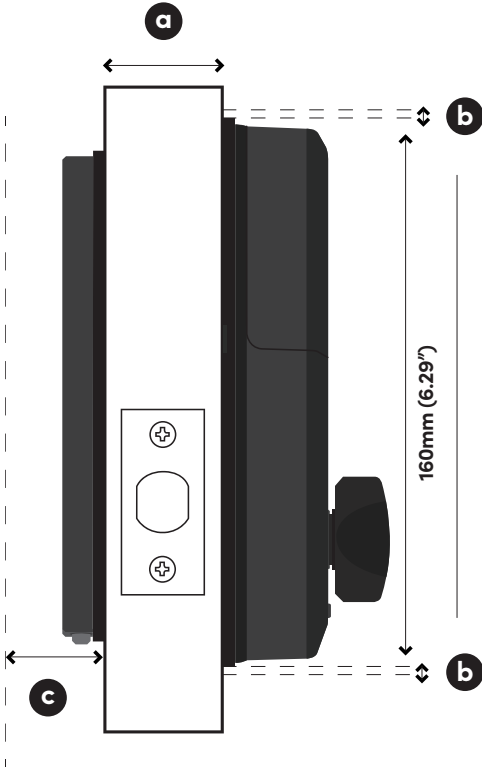


* **DO NOT USE:** Heavy Duty, Eveready, GP, or rechargeable batteries. Please note that using recommended battery brands such as Panasonic, Duracell, or Energizer will improve the performance and lifespan of the lock.

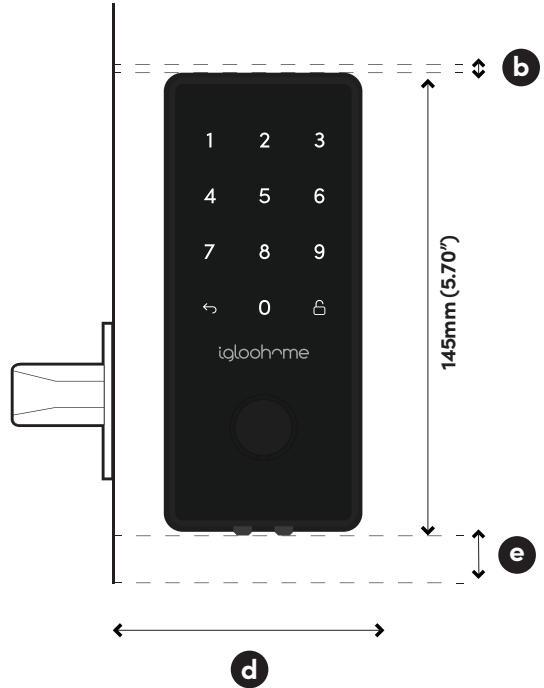
Installation Guide

Requirements

Door Thickness



Clearance

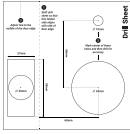


Measurements

- a** 35mm (1.37") to 60mm (2.36")
- b** 10mm (0.39")
- c** 20mm (0.78")
- d** >110mm (4.33") for 60mm (2.36") / >120mm (4.72") for 70mm (2.75") backset
- e** 50mm (1.96")

Prepare Door for Installation

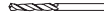
Items needed:



Drill Sheet



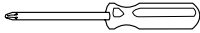
Drill



**10mm (0.39")
Drill Bit**



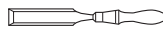
**54mm (2.12")
Hole Saw**



#2 Phillips Screw Driver



**25mm (0.98")
Spade Bit**



**20mm (0.78")
Chisel**



Hammer

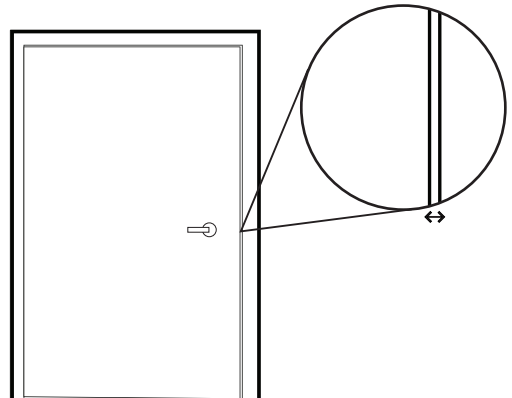
Recommended

Door and door frame material : **Wood**



Recommended

Gap between door and door frame: **<3mm (0.01")**



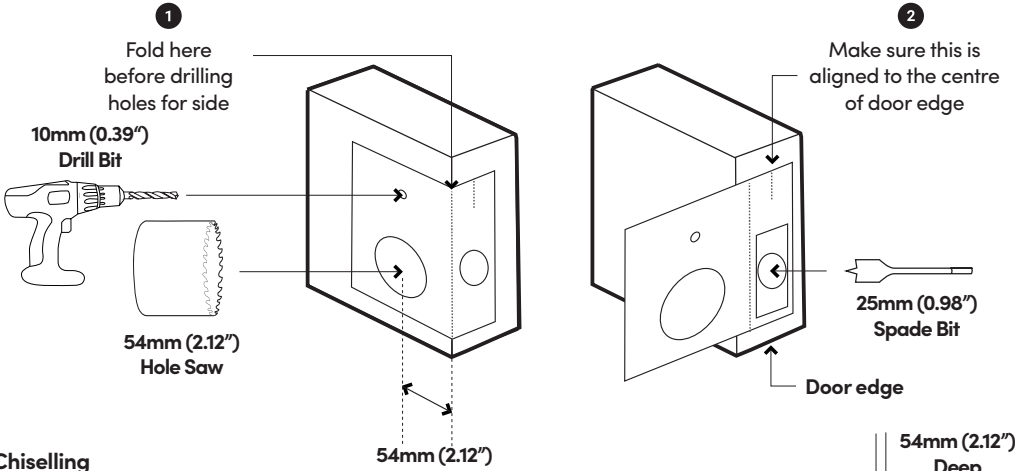
Please ensure that there is an existing handle on your door for push - pull access.

Not for: metal gates, glass doors or sliding doors.

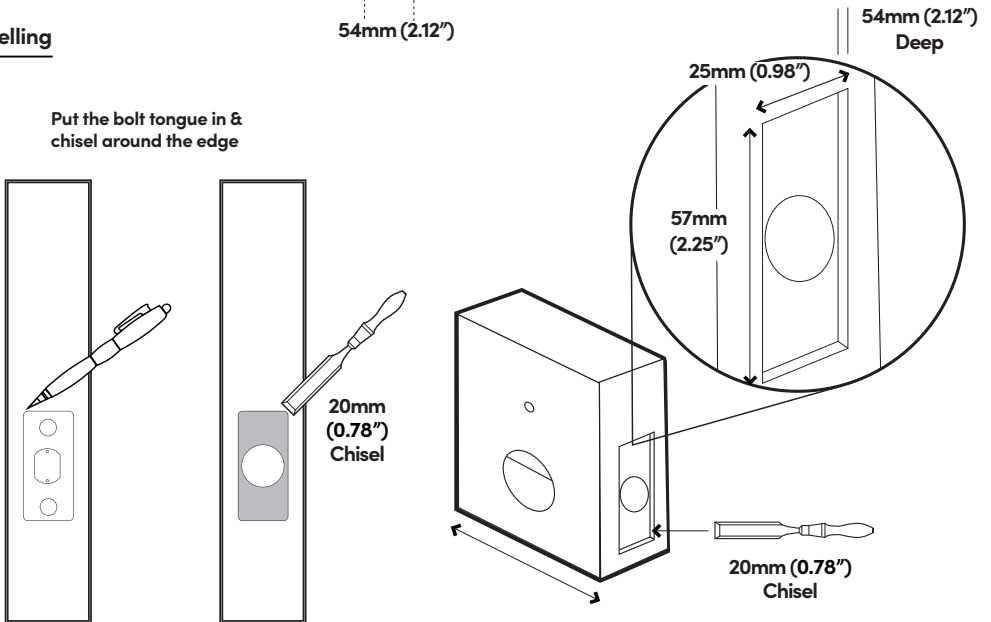
If you are unsure if your door is suitable, send us web links to your door pictures to info@igloohome.co

How to use the Drill Sheet

Drilling (Door)



Chiselling



 Mark the center of the holes and then drill for accuracy.

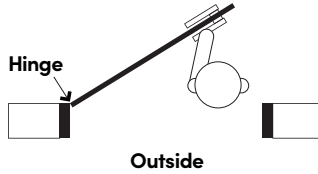
Prepare Lock For Installation

1 Set Back Assembly for Left / Right Hand Installation

Left Hand Installation

Set the toggle to 'LH' for left-hand installation

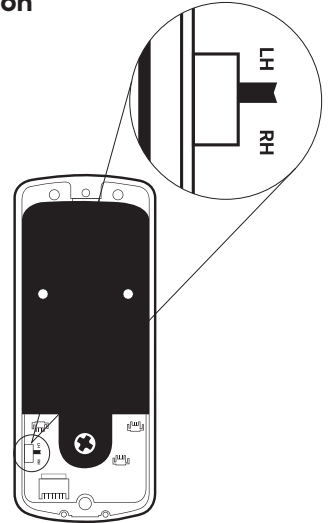
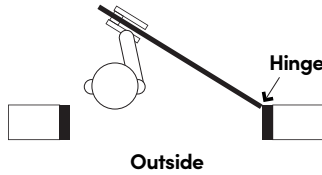
** Hinge is on your left.*



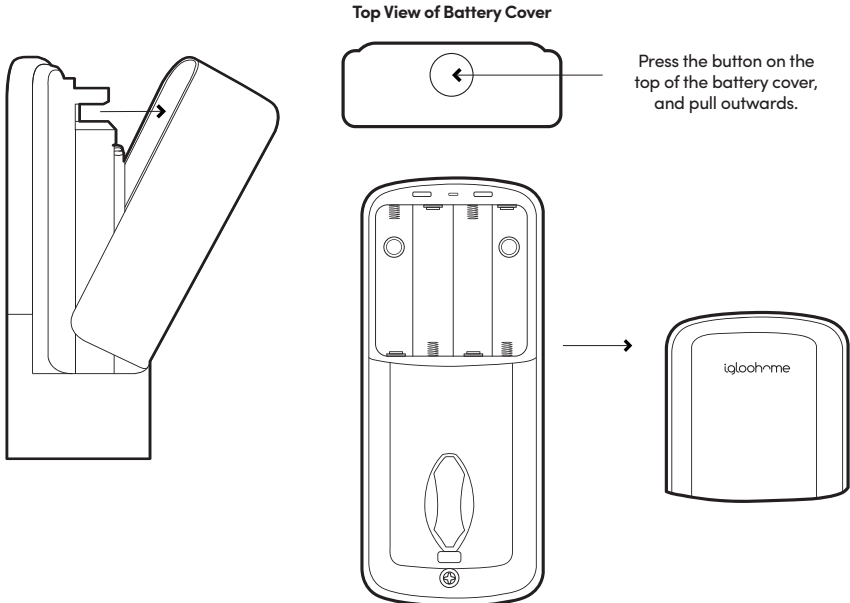
Right Hand Installation

Set the toggle to 'RH' for right-hand installation

** Hinge is on your right.*



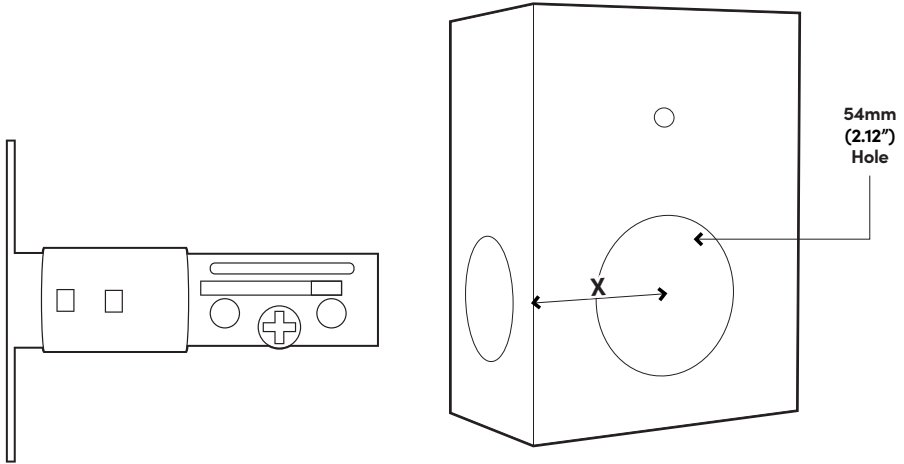
2 Remove Battery Cover from the Back Assembly



Installation Instructions

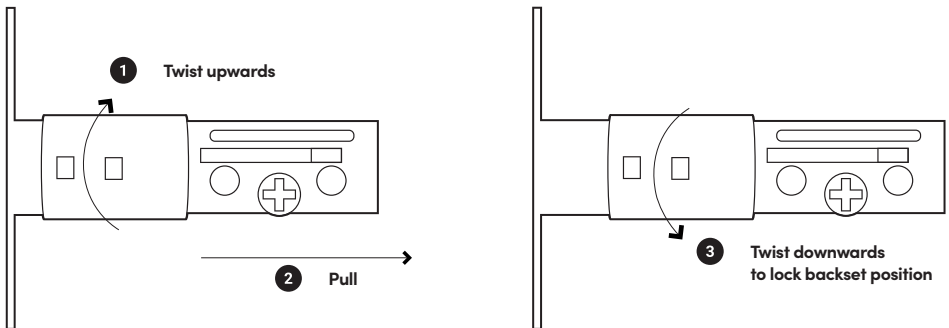
1 Measure

If you are replacing your current deadbolt lock, industry standards are 60mm (2.36") or 70mm (2.75") backset. To determine which backset length you should use, so measure the distance (x) between the center of 54mm (2.12") hole to door edge.



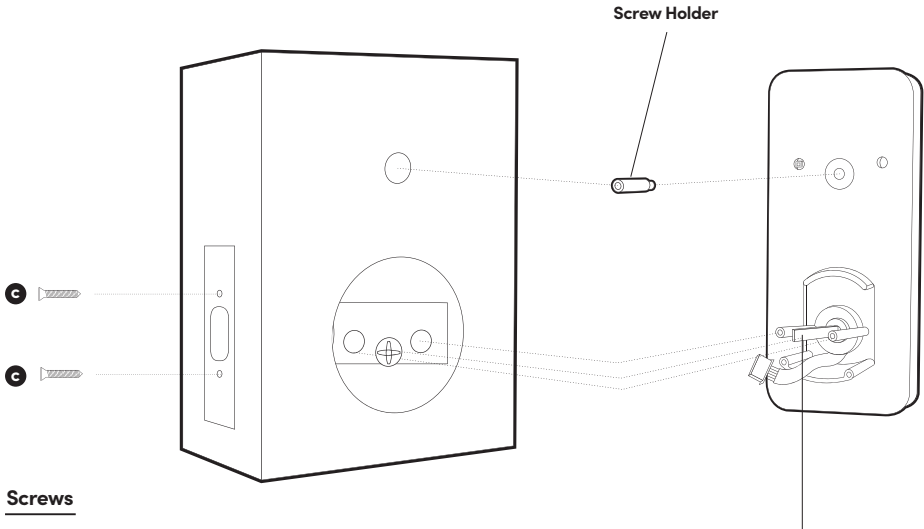
Prepare bolt assembly based on the distance (x)

Bolt ships with bolt assembly in 60mm (2.36") position. If required, twist the bolt and pull to extend (simultaneously) to 70mm (2.75") backset position.

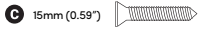


2 Insert bolt and front assembly into door edge

The '+' hole on the backset should be in the middle of the hole.



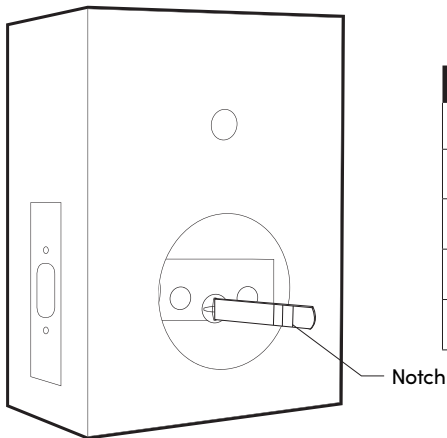
Screws



⚠ Please ensure that tailpiece is in vertical position.

3 Measure and cut the tailpiece if necessary

After inserting the tailpiece, measure the distance of protrusion from the door.

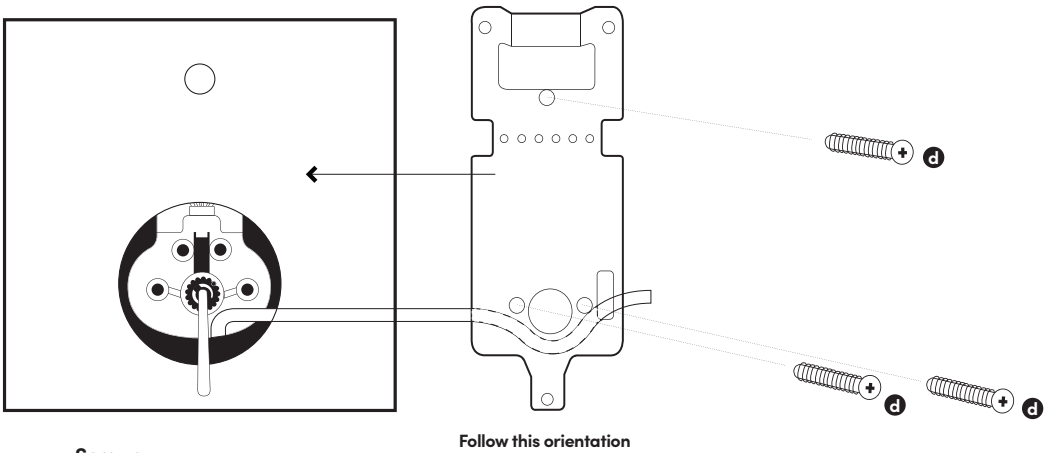


Door thickness (mm)	No. of notch to cut
60	0
55	1
45	2
40	3
35	4

⚠ The recommended tailpiece protrusion from the door is 15mm (0.6").

4 Secure the Front Assembly using the Back Plate.

To do this, place the Back Plate (ensuring the correct side placement).

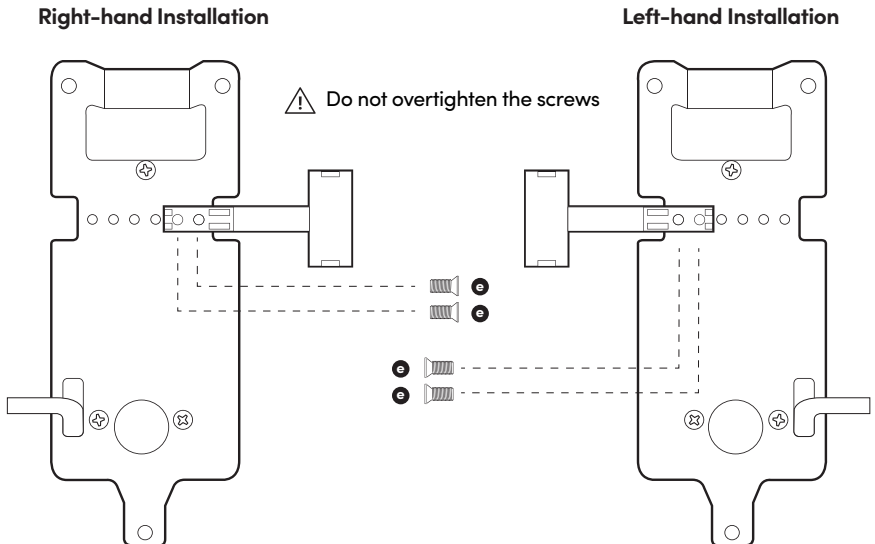


Screws


d 43mm (1.69") 

5 Door Sensor Installation

Adjust the position of the door sensor according to the door handling (left or right hand installation). Use the 2 x 5mm (0.19") screws to secure the door sensor to the back plate.

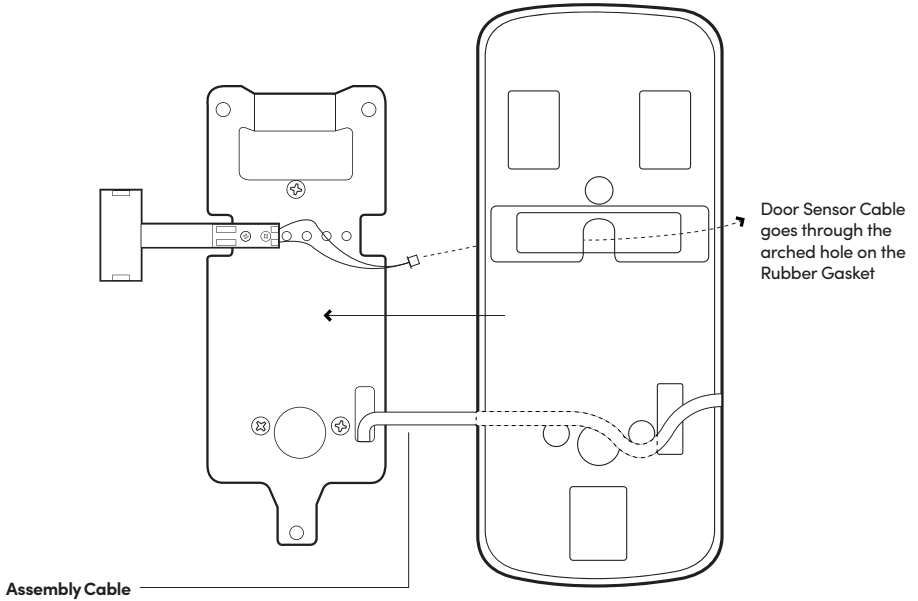


Screws

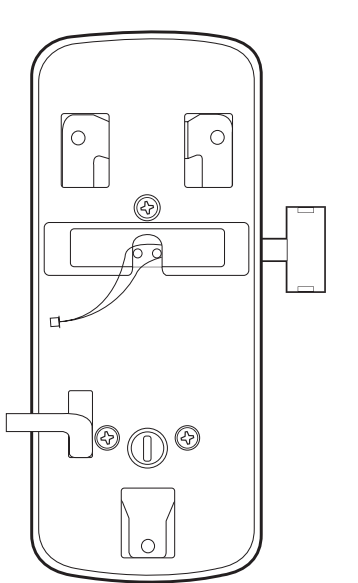
e 5mm (0.19") 

6 Fit in the Rubber Gasket

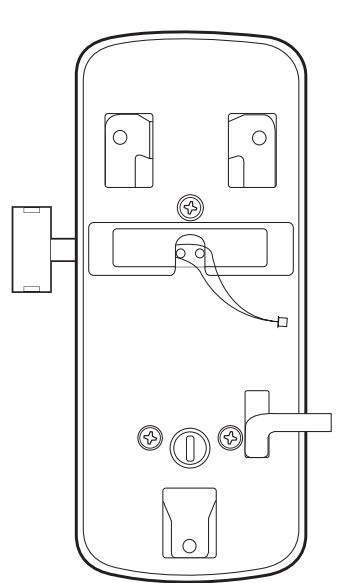
Insert the front assembly cable through the rectangular hole on the rubber gasket. The hole should be on the right side of the rubber gasket.



Right-hand Installation

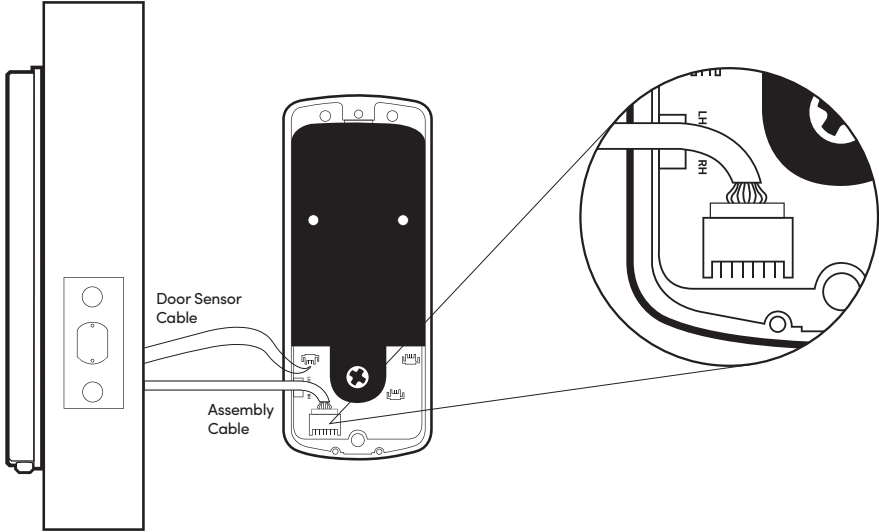


Left-hand Installation



7 Connect Assembly Cable

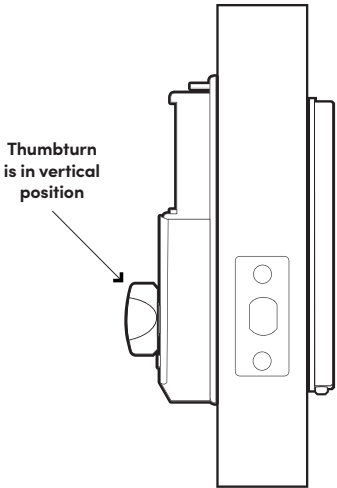
Connect the sensor cable to the Back Assembly then connect the assembly cable from the Front assembly through the 54mm (2.12") hole to the Back Assembly. Ensure that the wire is installed properly and securely.



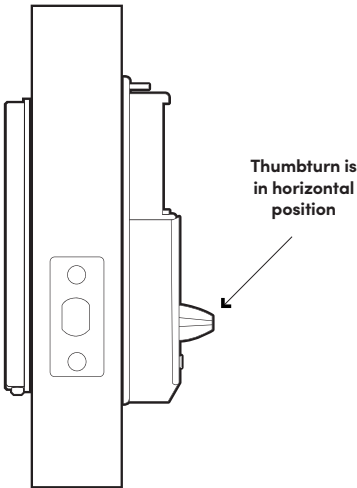
8 Fit Back Assembly to the Door Tailpiece

Ensure thumbturn position is turned to 'unlock' position.

Right-hand Installation



Left-hand Installation



9 Secure the Back Assembly

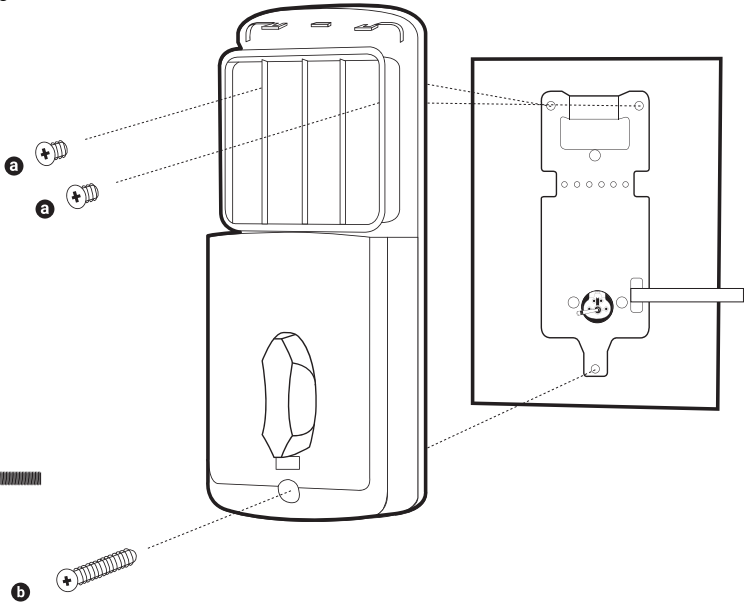
 Do not overtighten the screws

Screws

a 8mm (0.31")

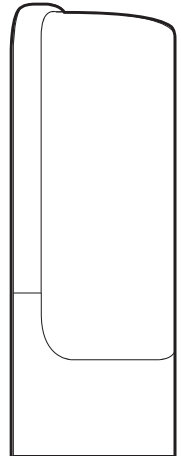
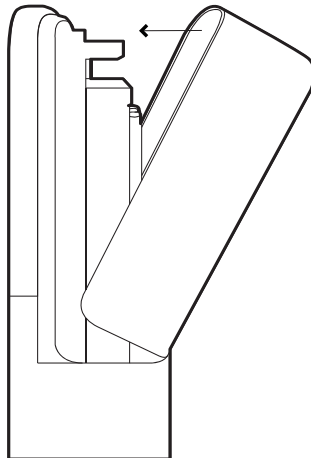
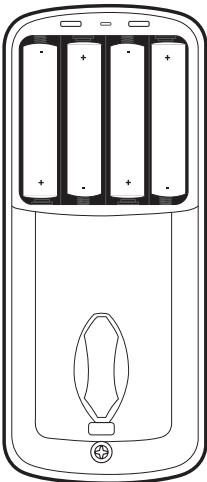


b 20mm (0.78")



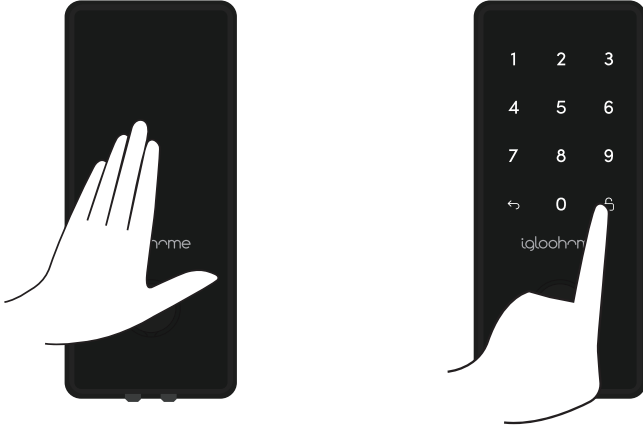
10 Insert 4 AA Alkaline Batteries and push the battery case lid inwards to close

Side View



Test Lock

Place hand over your lock to activate touchpad and hold 'Unlock' icon to lock.



Does your bolt lock?

Yes

Congrats!
Your lock is correctly installed.
Proceed to next steps.

No

Bummer!
Does the bolt lock and unlock
when you turn the thumbturn?

Yes

**Left-Right toggle
incorrectly set**

Troubleshoot: Try Setting the
left-right toggle on your back
assembly to the correct side.
(See Pg. 10)



No

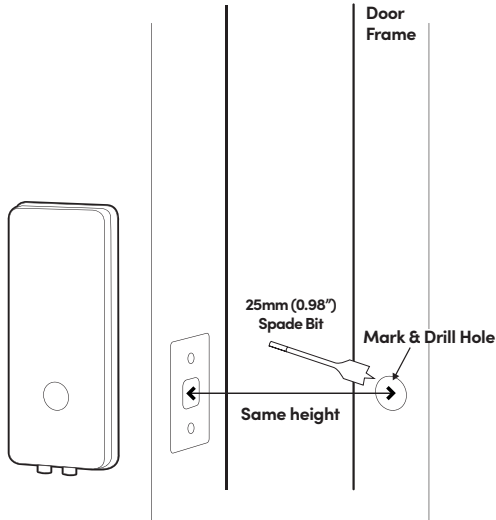
**Tailpiece and/or thumbturn
incorrectly set**

Troubleshoot: Disassemble lock
and install it again.

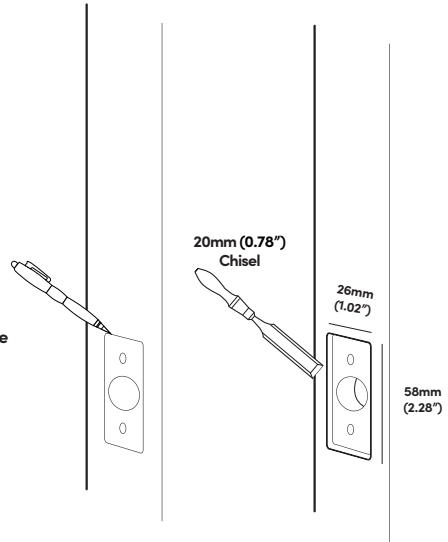
Still experiencing issues?
Go to igloohome.co/support for more help

Prepare the Door Frame

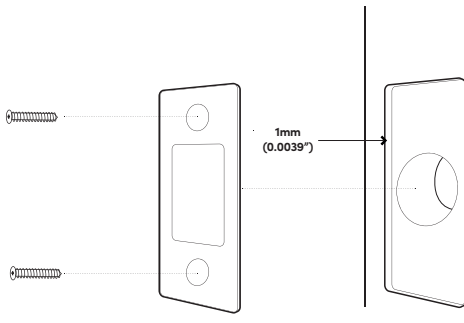
1 Ensure to align the lock to the door frame and mark it down.



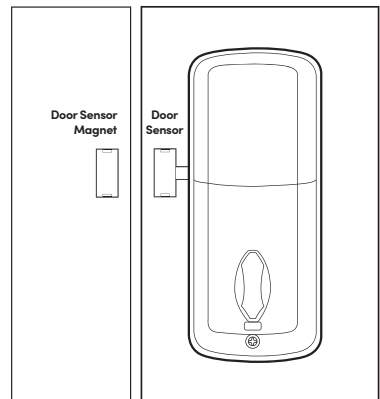
2 Mark out where the bolt tongue locks then drill a corresponding hole on door frame. Chisel to fit the strike plate in as well.



3 Secure strike plate housing and strike plate using 2x 25mm (0.98") wood screws.



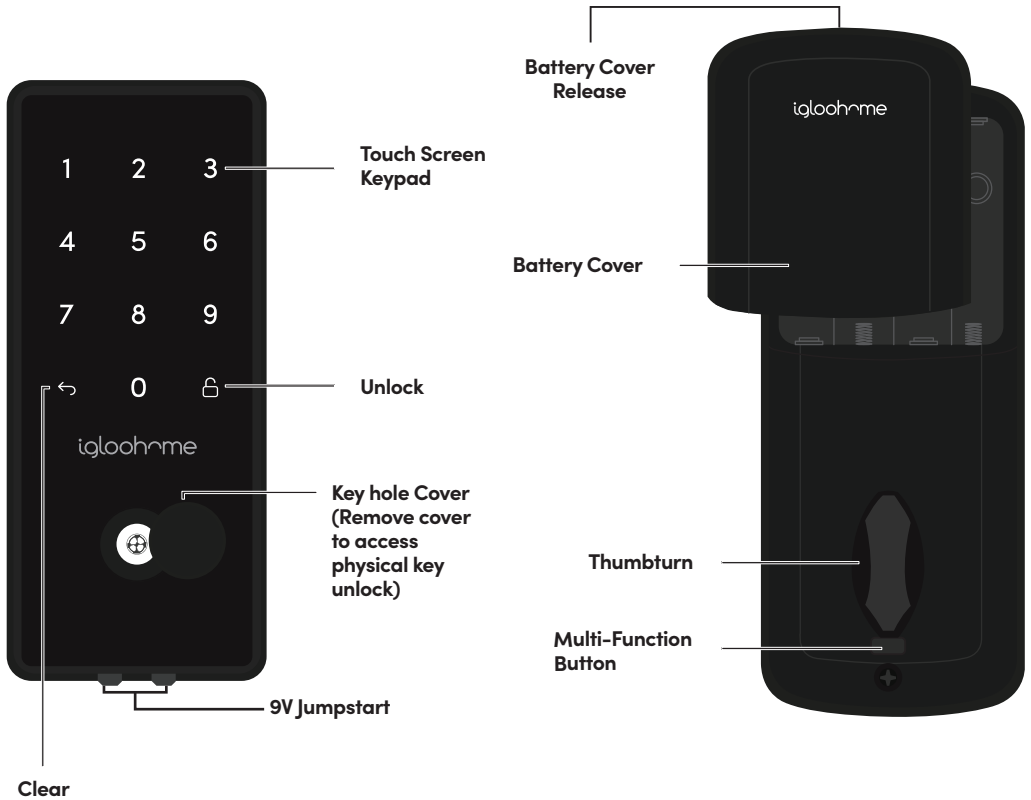
4 Paste the magnet opposite the door sensor.



User Guide

Lock Anatomy

Front & Back Assembly



Features

Security / Alarms



Keypad Security Lockout

Be assured with an additional layer of security with the keypad lockout if the keypad is being tampered. User can configure number of incorrect attempts to trigger lockout.



Activity Logs

Entry via PIN codes and Bluetooth Key will be logged in the app.

Bluetooth key access logs are updated in real-time and PIN code access logs are updated when the owner uses a bluetooth key or update logs.



Keypad Disabled Mode

Disable the keypad to prevent PIN code entry from outside via the Multi Function Button.



Tamper Alarm

The lock will sound if intruders try to pry the lock from the door.



Masking Security Code

Enter up to 8 digits before your PIN Code to reduce risk of intruders checking fingerprints.



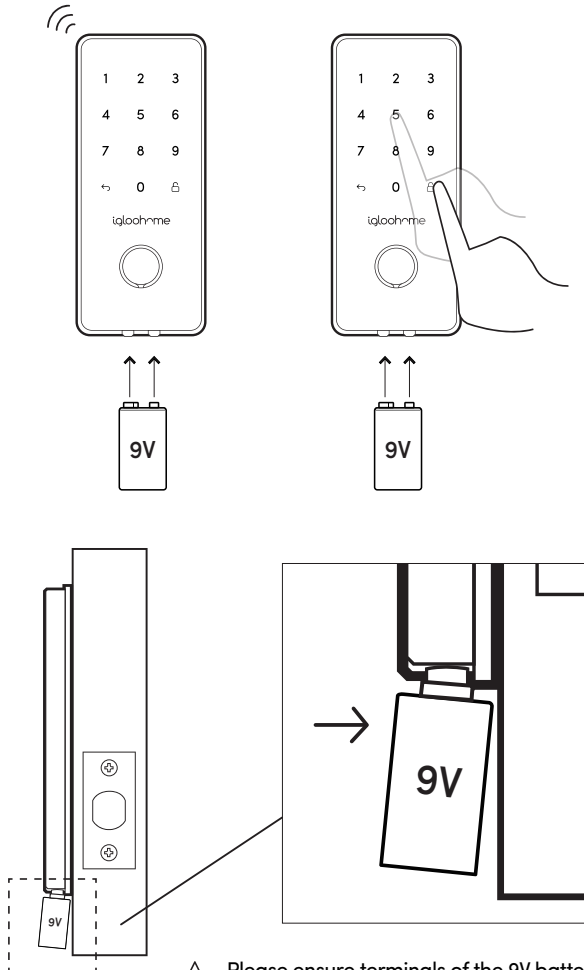
Passage Mode

Activate Passage mode via the Multi Function Button or turning auto relock off via Bluetooth. Refer to Page 25.

9V Jumpstart

1 9V Jumpstart Feature

1. Touch and hold the battery contacts against the 9V jumpstart pin on the lock and you will hear a series of beeps and the keypad will light up.
2. While holding the 9V battery to the jumpstart, key in your PIN code on the keypad followed by the 'Unlock' icon



Please ensure terminals of the 9V battery are in contact with the Jump Start contact points of the lock for **2 seconds** to activate your Deadbolt 2S.

Audio and LED indications

Actions	Indications
Bluetooth Connection	'Unlock' icon flashes Blue
Successfully Unlocked	4 fast ascending tones after unlocked
Successfully Locked	1 long beep after Deadbolt 2S is locked
Incorrect PIN	4 short beeps
Deleted PIN	3 sets of 4 short beeps
Obstruction Alarm	6 sets of 4 short beeps
Keypad Disabled Mode Activated	Very long beep
Keypad Disabled Mode Deactivated	2 short beeps
Keypad Security Lockout Alarm	Low-high siren for 30 / 60 / 90 seconds
Keypad Security Lockout Deactivated	2 long beeps
Low Battery Alert	3 fast descending tones when keypad is woken up
Tamper Alarm	Keep long beep
Hard Reset / Unpair	4 slow descending tones

Troubleshoot

The lock is not responding at all.

- The lock's battery is flat.
- Use an Alkaline 9V Battery to jumpstart the lock and unlock the lock to replace the batteries once you are able to access the battery compartment.

The deadbolt keypad flashes when I activate the keypad.

- If the keypad flashes once, the Keypad Security Lockout is triggered.
- If the keypad flashes twice, the Keypad Disabled Mode is activated.
- Refer to page 24 and 25 for details.

I tried to use a 9V Battery to jump start the lock but was unable to.

- Please ensure terminals of the 9V Battery are in contact with the jump-start contact points of the lock for 2 seconds to activate the lock.
- The 9V Battery terminals must be in constant contact with the lock 9V contact pins while unlocking it with PIN code or Bluetooth.

The deadbolt is locking when it is supposed to unlock or unlock when it is supposed to lock.

- Check the LH/RH toggle and ensure that it is at the correct side.
- Refer to page 9 for details.

I have generated my PINs from the app but it doesn't work.

- Do a Bluetooth Unlock or sync and try again.
- Make sure that the generated PIN codes are activated within the activation period before it expires.

Auto Relock is not working.

- Check if the Relock Sensor is installed correctly.
- Check if Auto Relock is switched on in the mobile app.
- Check if Keypad Disabled Mode or Passage Mode is deactivated.

My lock gives a 3 descending tones every time I activate the keypad.

- The battery is low in battery.
- Unlock the lock to replace the batteries once you are able to access the battery compartment.

I can't scan the QR sticker as it's worned out.

- Use the spare QR sticker that is provided in the Deadbolt 2S box.

The lock is beeping loudly continuously and none of the functions work.

- The tamper alarm is triggered.
- Please ensure that cable between the front and back body are well connected.

For enquiries go to:
igloohome.co/support