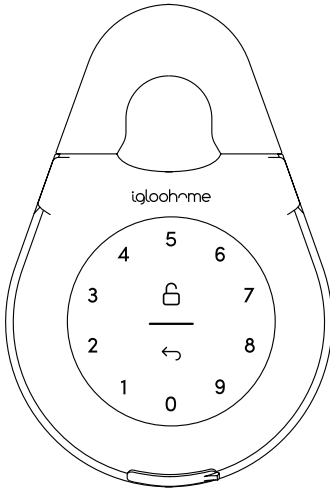
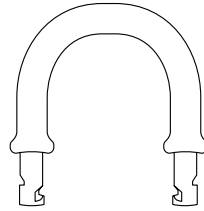


Installers & User guide **Keybox 3.**

What's Included



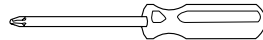
Keybox 3



Slim Shackle



Mounting Seal Rings x2



Screwdriver



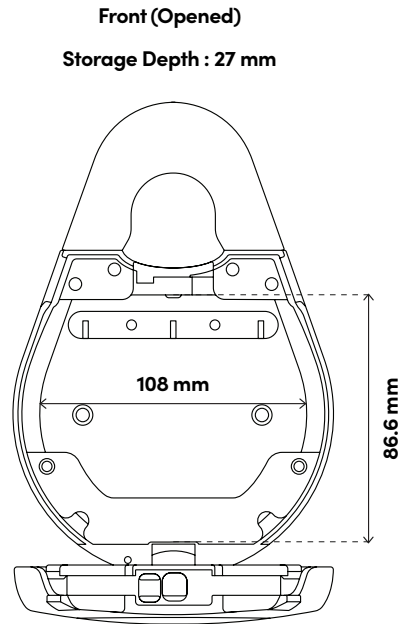
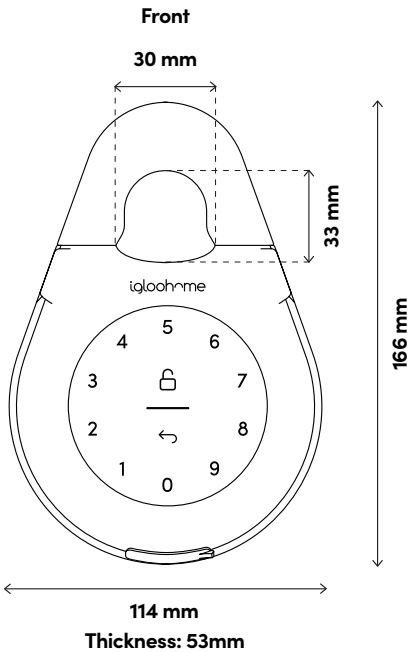
Mounting Screws x2



Screws Anchors x2

Specifications

Model	igloohome Smart Keybox 3
Battery Type	4 x AAA Alkaline Batteries
Battery Life	Up to 12 months
Emergency Power	USB-C Jumpstart
Operation Temp	-20°C to 50°C
IP Rating	IP66
Body Material	Zinc Alloy, Aluminium Alloy, Acrylic
Shackle Material	Hardened Steel, Rubber
Weight	Net: 1kg, Gross: 1.3kg
Unlock Mechanism	Bluetooth, PIN code



* **DO NOT USE:** Heavy Duty, Eveready, GP, or rechargeable batteries. Duracell & Energizer alkaline batteries recommended. Please note that using better batteries will improve the performance and lifespan of the lock.

Features

Security



Keypad Security Lockout

Lock will disallow any PIN entries and sound an alarm when there is a number of incorrect PIN attempt. User can configure number of incorrect attempts to trigger timeout.



Masking Security Code

A total of 16 digits including the masking digits can be entered to prevent the PIN code from being exposed.



Auto Relock

The Keybox 3 relocks automatically when product is closed. User can deactivate auto-relock function if they prefer manual relock.

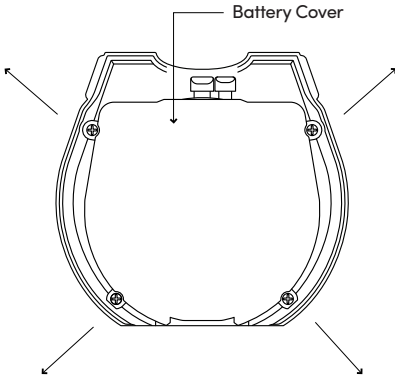


Weather Resistant

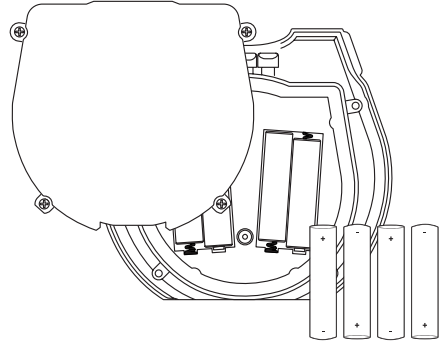
The Keybox 3 is able to withstand weather conditions with protection against dust and water (IP66).

Quick Start Guide

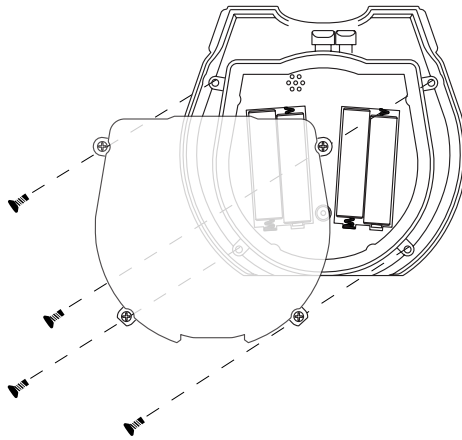
- 1 Loosen the 4 screws and remove battery cover




- 2 Insert AAA Batteries



- 3 Secure battery cover tightly with 4 screws

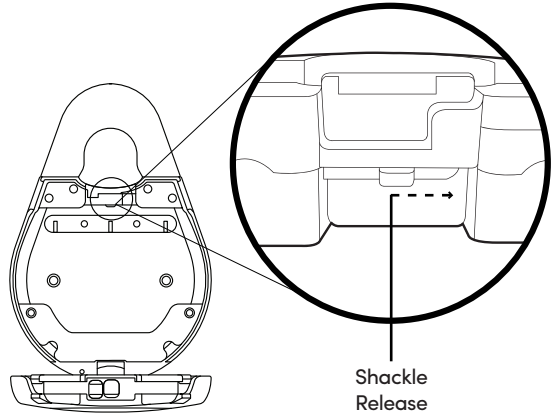
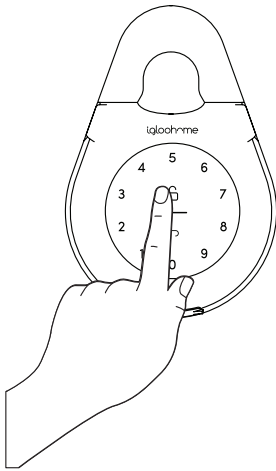


 Please screw the battery cover tightly after inserting batteries to ensure optimal water resistance.

Lock Installation

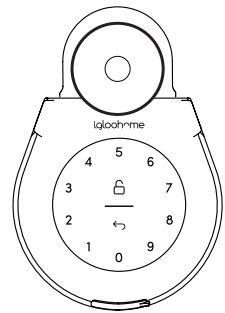
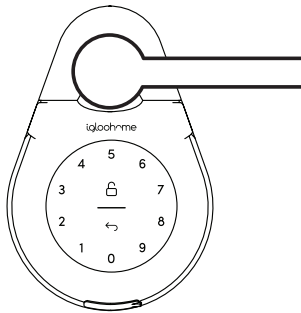
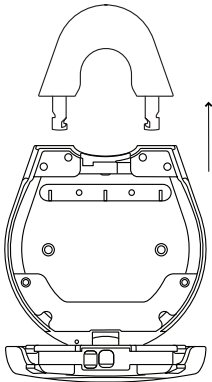
a Secure Keybox on a handle or knob

1. Unlock the keybox
2. Push the shackle release to the right
3. Pull out the shackle
4. Secure on a handle or knob
5. Insert back the shackle



For door handles,
use Regular Shackle

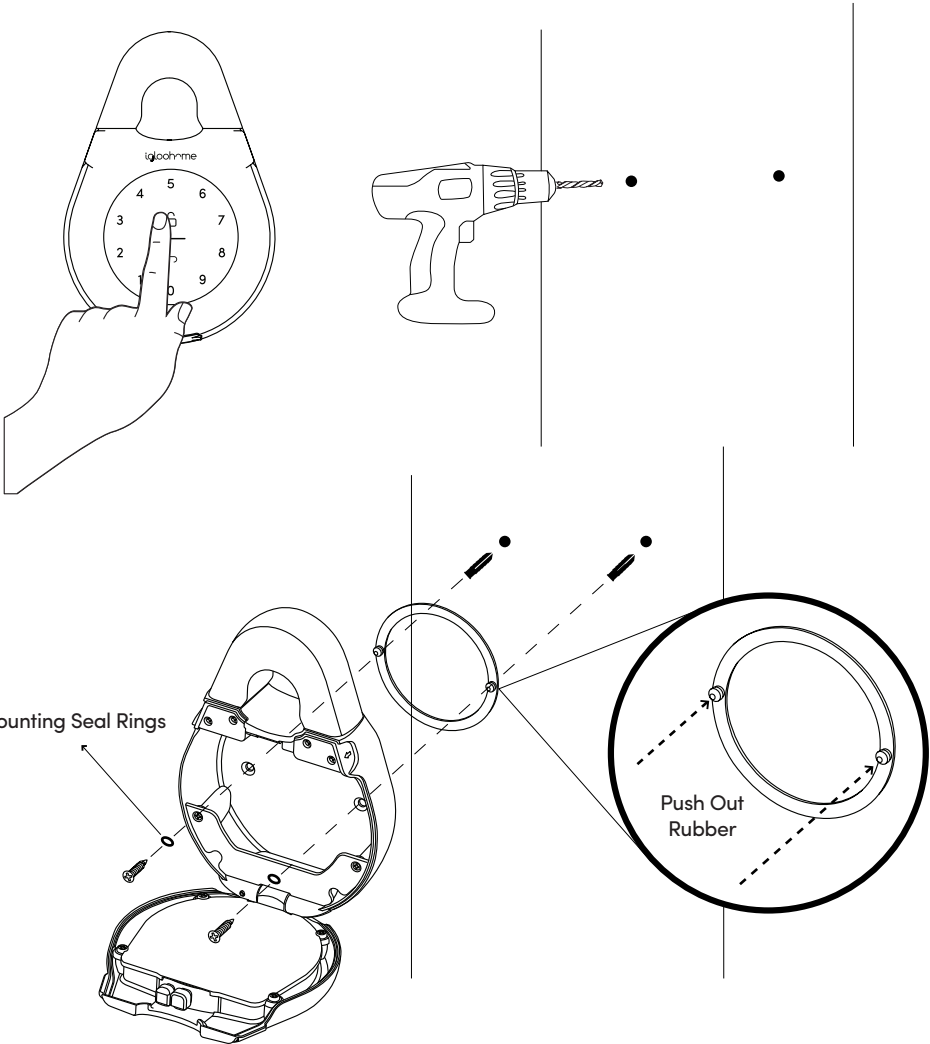
For door knobs,
use Slim Shackle



b


Mount on a surface

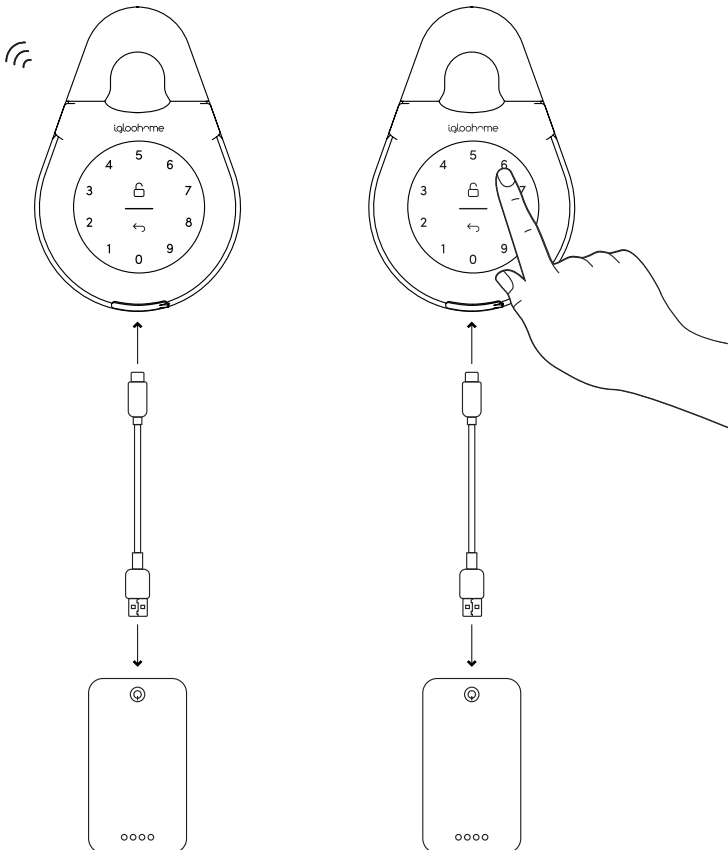
- 1. Unlock the keybox
- 2. Drill holes on a wall
- 3. Hammer the screw anchors into the holes
- 4. Mount the Keybox 3 on the wall with the mounting seal rings and 2 screws




USB-C Jumpstart

1 USB-C Jumpstart Feature

1. Connect the USB-A to USB-C cable to a power bank then plug it onto the USB-C jumpstart port on the keybox.
2. While the USB-A to USB-C cable is connected to the power bank, key in PIN code on the keypad followed by  to unlock.



 Please unlock by entering a valid PIN code or via the app within 20 seconds after the keybox is powered up.

Audio and LED Indications

Actions	Indications
Bluetooth Connection	Status indicator flashes Blue
Successfully Unlocked	Ascending 4 fast tones after unlocked and flash Green LED 2 times
Successfully Locked	1 long beep after product is locked and Green LED for 2 seconds
Incorrect PIN	4 short beeps and flash Red 2 times
Deleted PIN	3 sets of 4 short beeps and flash Red 2 times
Obstruction Alarm	6 sets of 4 short beeps
Security Lockout Alarm	Low - High siren for 30 / 60 / 90 seconds
Security Lockout Deactivated	2 long beeps
Low Battery Alert	Descending 3 fast tones when keypad is woken up and breathing Red LED
Hard Reset / Unpair	Descending 4 slow tones
Power Start Up	2 slow beeps then 2 quick beeps

Troubleshoot

I am unable to close the keybox.

- Do an unlock via PIN code or Bluetooth and try to close the keybox again.
- Note that you might accidentally lock the keybox manually by holding the UNLOCK button for 2 seconds when the keybox is open.

I am unable to remove the battery cover screws.

- Note that the screws are designed to be retained, therefore cannot be removed.
- Please loosen the screws to remove the battery cover.

The keybox keypad flashes white and LED indicator flashes red when I activate the keypad.

- Keypad Security Lockout is triggered on the Keybox.
- Please refer to page 15.

I tried to use USB-C to jumpstart the lock but unable to.

- Please ensure USB-C connector is connected to the USB-C slot securely while unlocking it with PIN code or Bluetooth.
- Please unlock within 20 seconds.
- Please ensure that the Power Bank has sufficient power.

The lock is not responding at all.

- The Keybox's battery is flat.
- Use an USB-A to USB-C cable connected to a power bank to jumpstart the lock and unlock the keybox to replace the batteries.
- Please unlock within 20 seconds.
- Refer to page 8 to know how to replace batteries.

I closed the Keybox but it did not relock automatically.

- Make sure Auto Relock is ON via the igloohome mobile app.
- If Auto Relock is ON and the keybox is still not working, try to lock the keybox manually by holding the UNLOCK button for 2 seconds.

I tried to unlock the Keybox but the keypad went off and came back on with 2 slow and 2 quick beeps.

- The Keybox is low in battery.
- Use an USB-A to USB-C cable connected to a power bank to jumpstart the lock and unlock the Keybox to replace the batteries.
- Refer to page 8 to know how to replace batteries.

I can't scan the QR sticker as it is worned out.

- Use the spare QR sticker that is provided in the Keybox box.

I have generated my PINs from the app but it cannot work.

- Do a Bluetooth Unlock or sync and try again.
- Make sure that the generated PIN codes are activated within the activation period before it expired.